

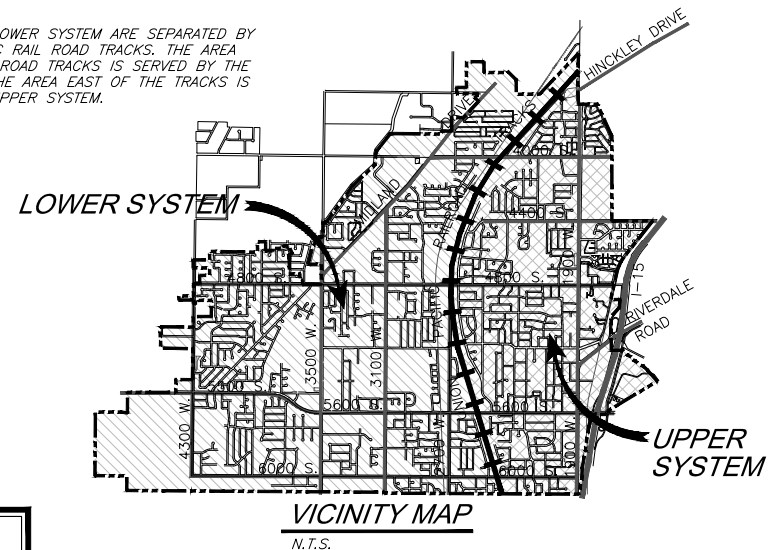
DOUBLE SERVICE DETAIL

SINGLE SERVICE DETAIL

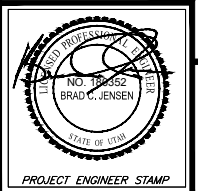
RETRO FIT SECONDARY WATER SERVICE CONNECTION DETAIL

SCALE: 1" = 4'

NOTE:
THE UPPER AND LOWER SYSTEM ARE SEPARATED BY THE UNION PACIFIC RAIL ROAD TRACKS. THE AREA WEST OF THE RAILROAD TRACKS IS SERVED BY THE LOWER SYSTEM. THE AREA EAST OF THE TRACKS IS SERVED BY THE UPPER SYSTEM.



- NOTES:
- SERVICES MAY BE TUNNELED OR JETTED UNDER CURB AND GUTTER, DRIVEWAYS OR SIDEWALKS. OTHER STRUCTURES SHALL BE OPEN CUT WITH SURFACE RESTORATION AT THE DISTRICTS DIRECTION.
 - IF TAPPING SADDLES ARE USED, METHOD OR SAWING/DRILLING TAP HOLES, TYPE OF SADDLE AND INSTALLATION PROCEDURES MUST BE APPROVED BY THE ENGINEER PRIOR TO INSTALLATION.
 - POLYETHYLENE PIPE SHALL BE SDR 9-PE 3408 MANUFACTURED TO MEET THE REQUIREMENTS OF ASTM D-2737. EITHER PURPLE OR BLACK IN COLOR.
 - P.V.C. PIPE SHALL BE C900 DR-18. PURPLE IN COLOR.
 - NO O-RING SADDLES.
 - ALL CONNECTIONS SHALL BE MADE WITH MUELLER COMPRESSION CONNECTIONS OR APPROVED EQUIVALENT.



WASATCH CIVIL
Consulting Engineering
1150 DEPOT DRIVE, SUITE 225
OGDEN, UTAH 84404 (801) 775-9191

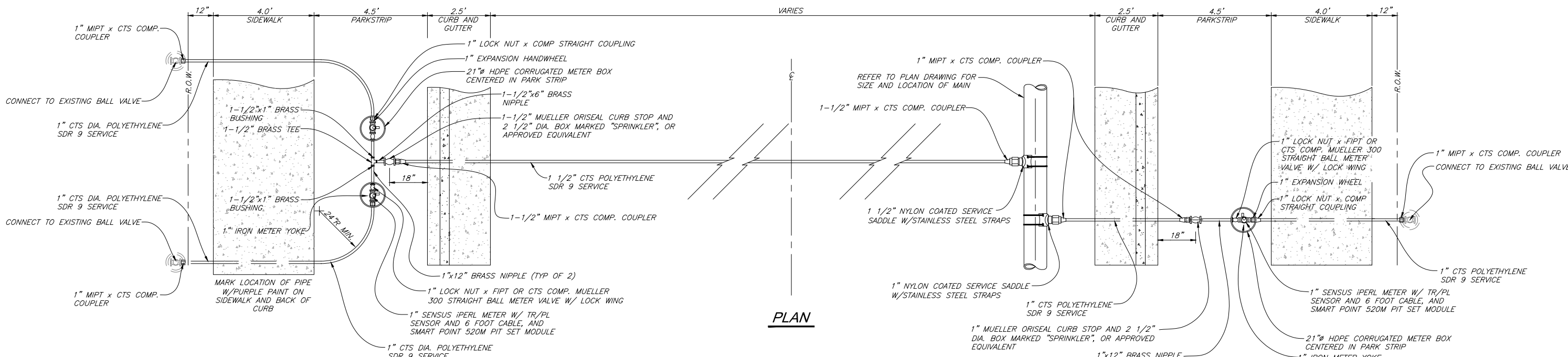
1	10/8/2020	BCJ	UPDATED METER FITTINGS RWCD

DESIGNED	B.C.J.	DATE	OCT. 9, 2020
DRAWN	S.T.	SCALE	AS SHOWN
CHECKED	B.C.J.		

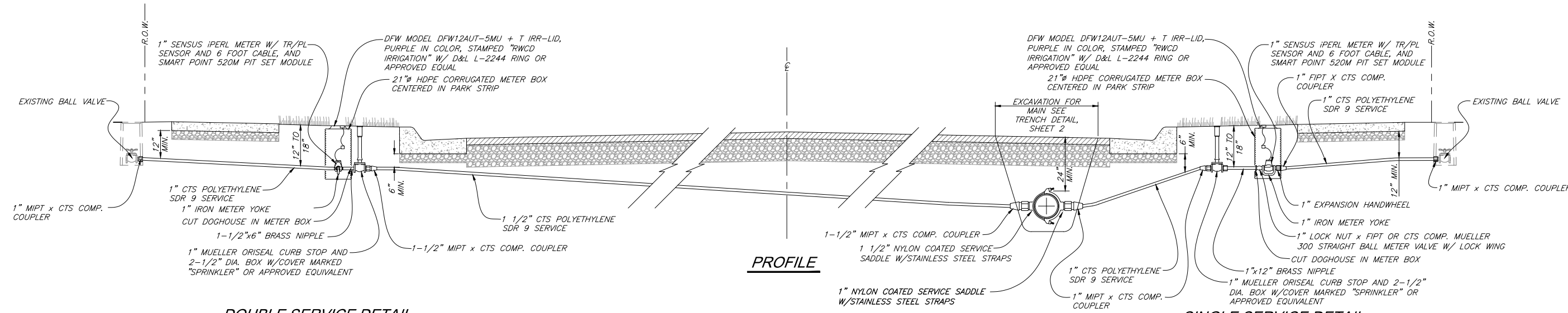
ROY WATER CONSERVANCY DISTRICT

CONSTRUCTION STANDARDS
RETROFIT SECONDARY WATER SERVICE CONNECTION DETAIL

W:\04-RWCD\800-CITY-STANDARDS\STANDARDS\DWG\DETAILS.dwg 1/29/2018 5:11:53 PM MST



PLAN



PROFILE

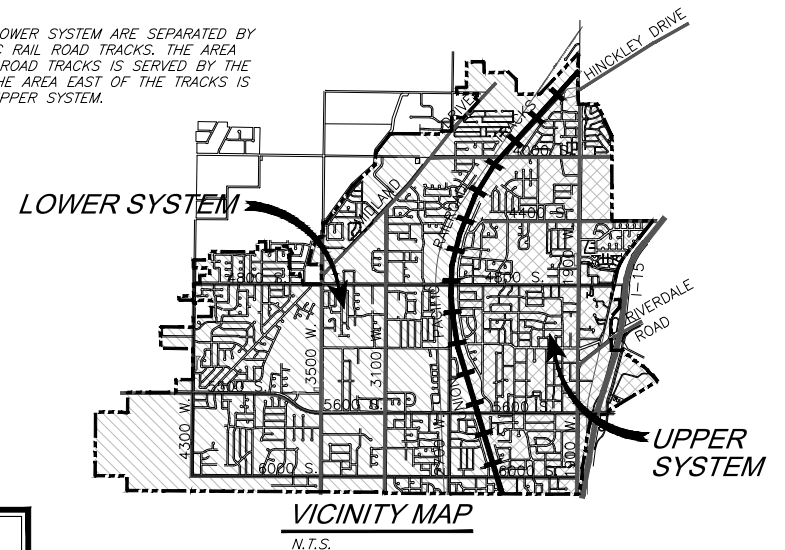
DOUBLE SERVICE DETAIL

SINGLE SERVICE DETAIL

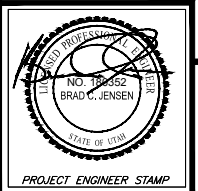
RETRO FIT SECONDARY WATER SERVICE CONNECTION DETAIL

SCALE: 1" = 4'

NOTE:
THE UPPER AND LOWER SYSTEM ARE SEPARATED BY THE UNION PACIFIC RAIL ROAD TRACKS. THE AREA WEST OF THE RAILROAD TRACKS IS SERVED BY THE LOWER SYSTEM. THE AREA EAST OF THE TRACKS IS SERVED BY THE UPPER SYSTEM.



- NOTES:
1. SERVICES MAY BE TUNNELED OR JETTED UNDER CURB AND GUTTER, DRIVEWAYS OR SIDEWALKS. OTHER STRUCTURES SHALL BE OPEN CUT WITH SURFACE RESTORATION AT THE DISTRICTS DIRECTION.
 2. IF TAPPING SADDLES ARE USED, METHOD OR SAWING/DRILLING TAP HOLES, TYPE OF SADDLE AND INSTALLATION PROCEDURES MUST BE APPROVED BY THE ENGINEER PRIOR TO INSTALLATION.
 3. POLYETHYLENE PIPE SHALL BE SDR 9-PE 3408 MANUFACTURED TO MEET THE REQUIREMENTS OF ASTM D-2737. EITHER PURPLE OR BLACK IN COLOR.
 4. P.V.C. PIPE SHALL BE C900 DR-18, PURPLE IN COLOR.
 5. NO O-RING SADDLES.
 6. ALL CONNECTIONS SHALL BE MADE WITH MUELLER COMPRESSION CONNECTIONS OR APPROVED EQUIVALENT.



WASATCH CIVIL
Consulting Engineering
1150 DEPOT DRIVE, SUITE 225
OGDEN, UTAH 84404 (801) 775-9191

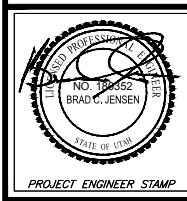
1	10/8/2020	BCJ	UPDATED METER FITTINGS RWCD
REV.	DATE	APPR.	

DESIGNED B.C.J. DATE OCT. 9, 2020
 DRAWN S.T. SCALE AS SHOWN
 CHECKED B.C.J.

ROY WATER CONSERVANCY DISTRICT

CONSTRUCTION STANDARDS
RETROFIT SECONDARY WATER SERVICE CONNECTION DETAIL

W:\04-RWCD\800-CITY-STDS\STANDARDS\DWG\DETAILS.dwg 1/29/2018 5:11:33 PM MST



WASATCH CIVIL
Consulting Engineering
1150 DEPOT DRIVE, SUITE 225
OGDEN, UTAH 84404 (801) 775-9191

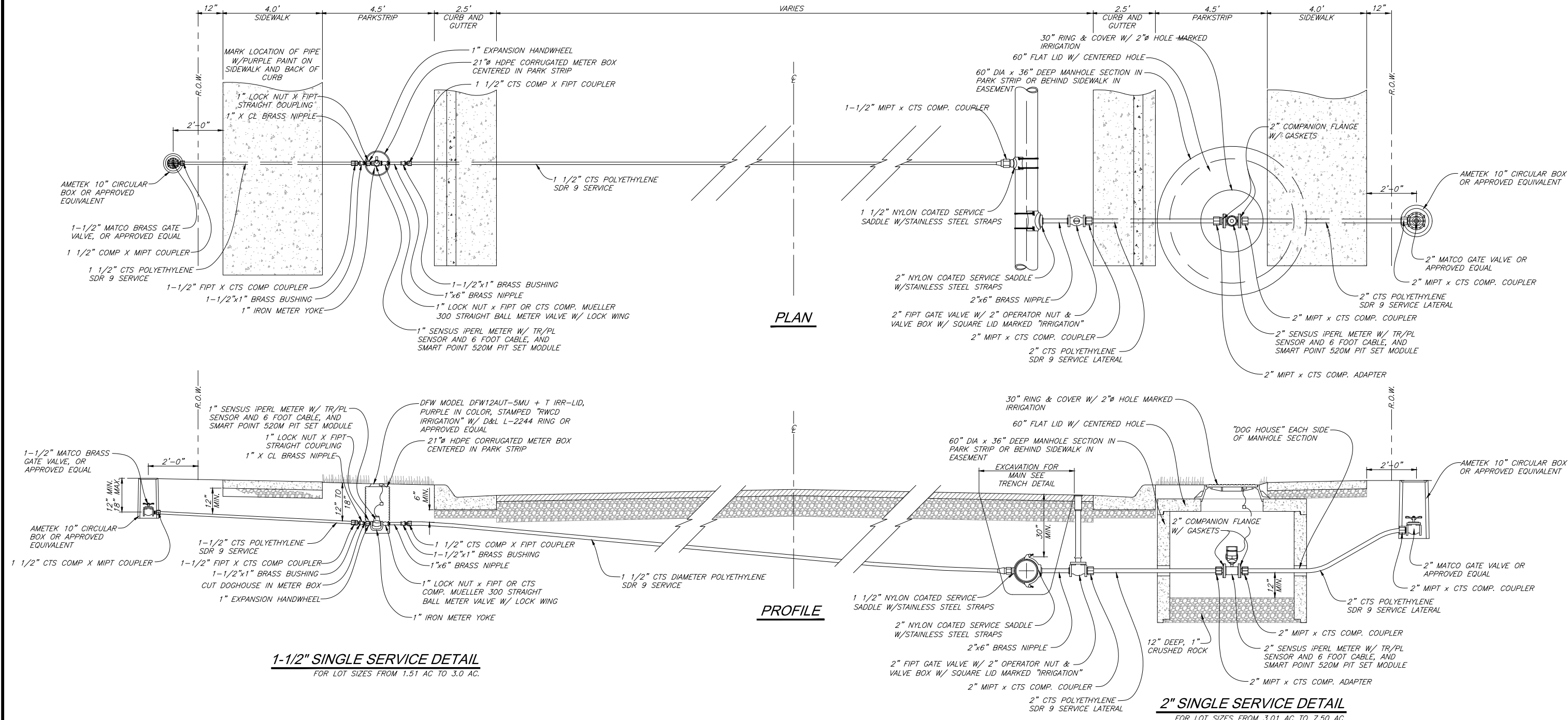
1	10/8/2020	BCJ	UPDATED METER FITTINGS RWCD
REV.	DATE	APPR.	

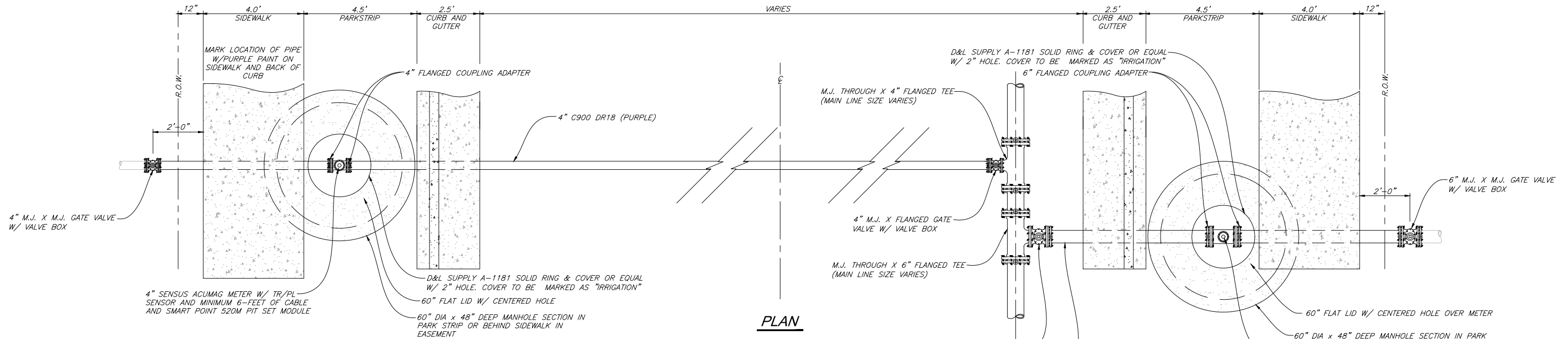
DESIGNED	B.C.J.	DATE	OCT. 9, 2020
DRAWN	S.T.	SCALE	AS SHOWN
CHECKED	B.C.J.		

ROY WATER CONSERVANCY DISTRICT

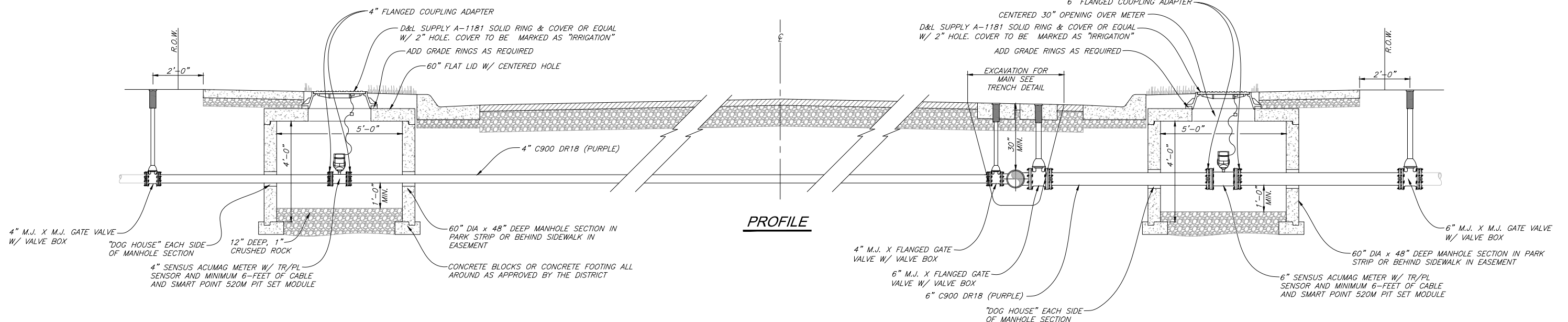
CONSTRUCTION STANDARDS
NEW 1-1/2" & 2" SECONDARY WATER SERVICE CONNECTION DETAILS

SHEET:
4
OF 8 SHEETS





PLAN



PROFILE

4" SINGLE SERVICE DETAIL
FOR LOT SIZES FROM 7.51 AC & ABOVE

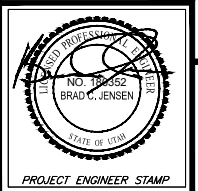
6" SINGLE SERVICE DETAIL
AS SPECIFIED BY THE DISTRICT

NEW SECONDARY WATER SERVICE CONNECTION DETAIL
SCALE: 1" = 4'

NOTES:

- SERVICES MAY ONLY BE TUNNELED OR JETTED UNDER CURB AND GUTTER, DRIVEWAYS OR SIDEWALKS W/ APPROVAL OF ROY CITY. OTHER STRUCTURES SHALL BE OPEN CUT WITH SURFACE RESTORATION AT THE DISTRICTS DIRECTION.
- IF TAPPING SADDLES ARE USED, METHOD OR SAWING/DRILLING TAP HOLES, TYPE OF SADDLE AND INSTALLATION PROCEDURES MUST BE APPROVED BY THE DISTRICT PRIOR TO INSTALLATION.
- POLYETHYLENE PIPE SHALL BE SDR 9-PE 3408 MANUFACTURED TO MEET THE REQUIREMENTS OF ASTM D-2737. EITHER PURPLE OR BLACK IN COLOR.
- P.V.C. PIPE SHALL BE C900 DR-18. PURPLE IN COLOR.
- NO O-RING SADDLES.

W:\04-RWCD\800-CITY-STANDARDS\STANDARDS\DWG\DETAILS.dwg 1/29/2018 5:11:33 PM MST



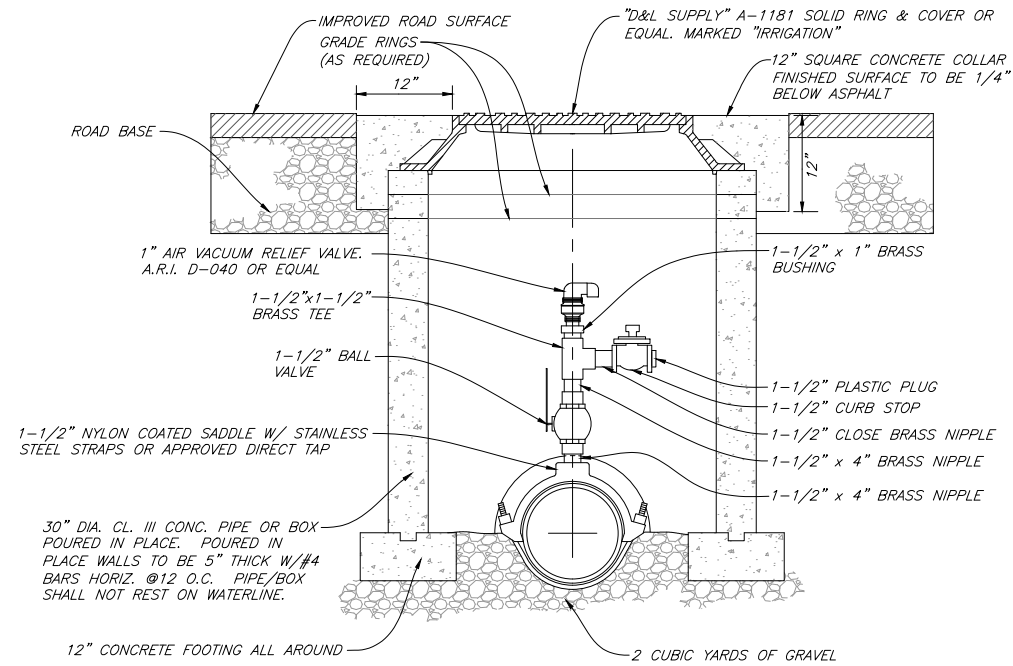
WASATCH CIVIL
Consulting Engineering
1150 DEPOT DRIVE, SUITE 225
OGDEN, UTAH 84404 (801) 775-9191

1	10/8/2020	BCJ	UPDATED METER FITTINGS RWCD
REV.	DATE	APPR.	

DESIGNED	B.C.J.	DATE	OCT. 9, 2020
DRAWN	S.T.	SCALE	AS SHOWN
CHECKED	B.C.J.		

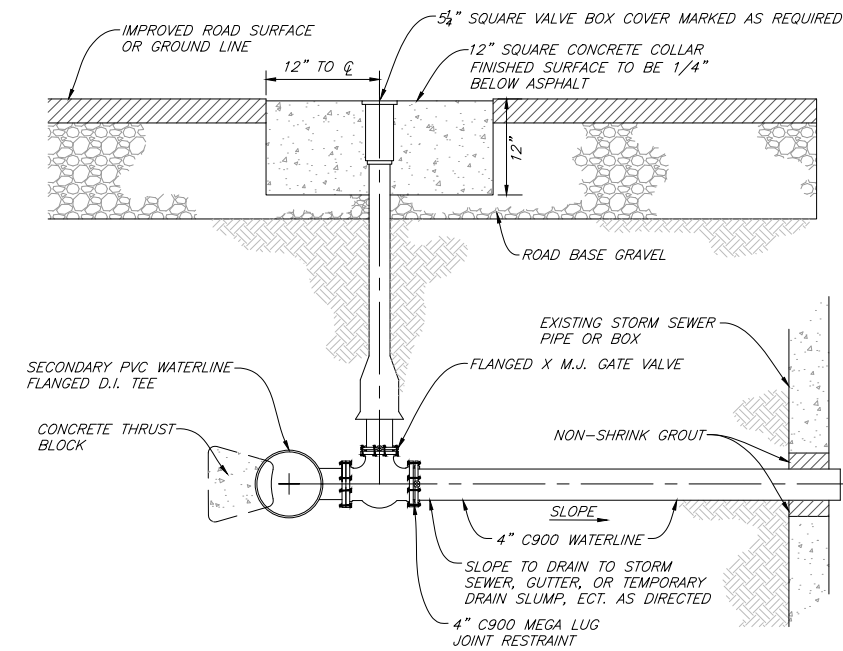
ROY WATER CONSERVANCY DISTRICT

CONSTRUCTION STANDARDS
NEW 4" & 6" SECONDARY WATER SERVICE CONNECTION DETAILS



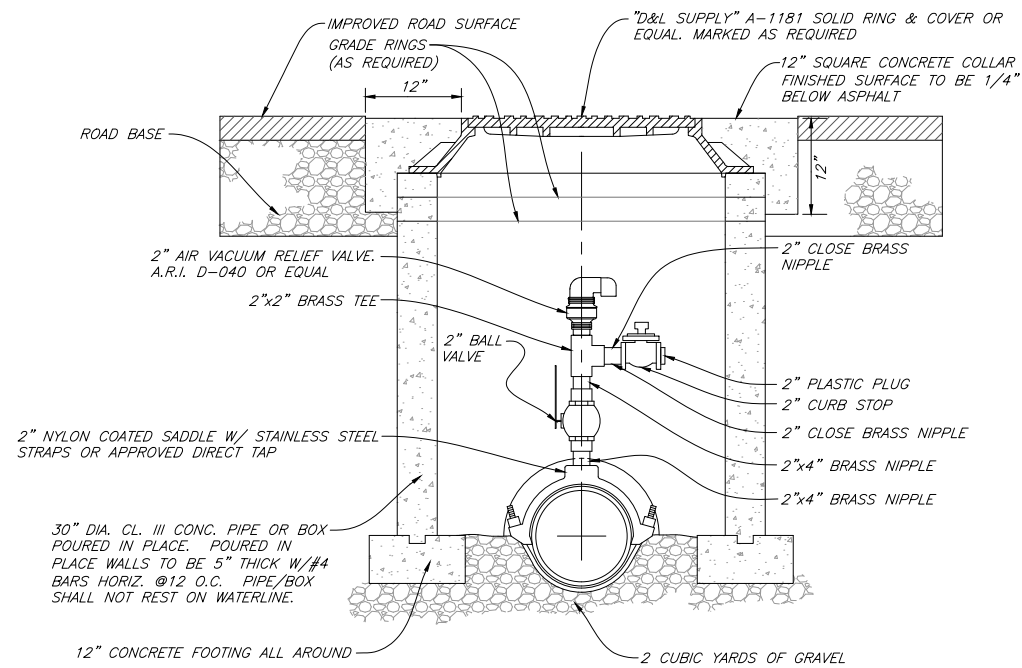
1" AIR VACUUM RELIEF AND FLUSH VALVE DETAIL

SCALE: 1" = 2'



4" DRAIN/FLUSH VALVE

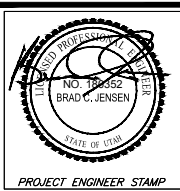
SCALE: 1" = 2'



2" AIR VACUUM RELIEF AND FLUSH VALVE DETAIL

SCALE: 1" = 2'

WC-CAD_04-RWCSO_800-CITY-STNDS\STANDARDS\DWG\DETAIL.DWG



WASATCH CIVIL
Consulting Engineering
1150 DEPOT DRIVE, SUITE 225
OGDEN, UTAH 84404 (801) 775-9191

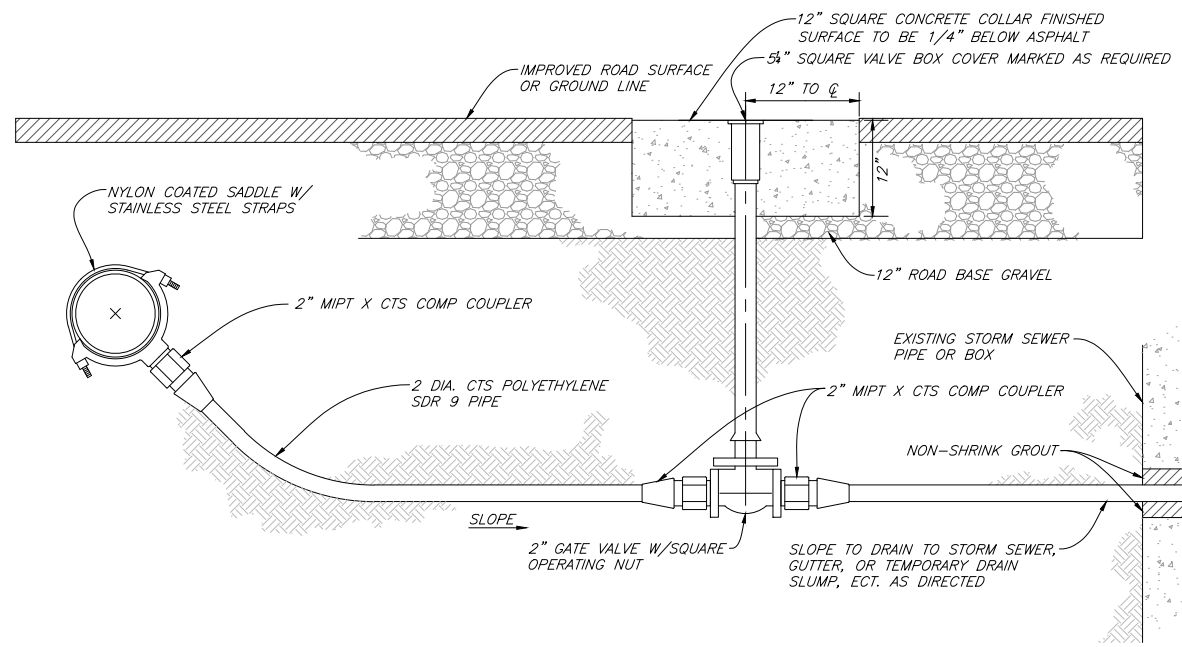
1	10/8/2020	BCJ	UPDATED METER FITTINGS RWCD
REV.	DATE	APPR.	

DESIGNED	B.C.J.	DATE	OCT. 9, 2020
DRAWN	S.T.	SCALE	AS SHOWN
CHECKED	B.C.J.		

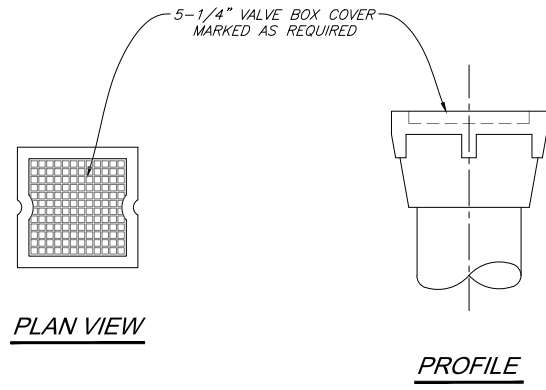
**ROY WATER
CONSERVANCY
DISTRICT**

CONSTRUCTION STANDARDS
MISCELLANEOUS DETAILS

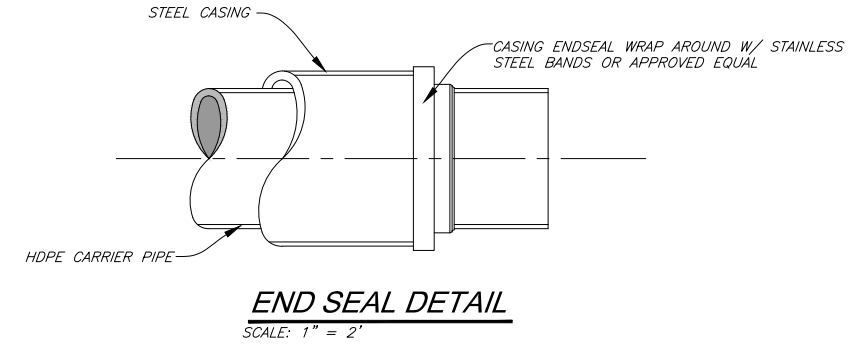
SHEET:
6
OF 8 SHEETS



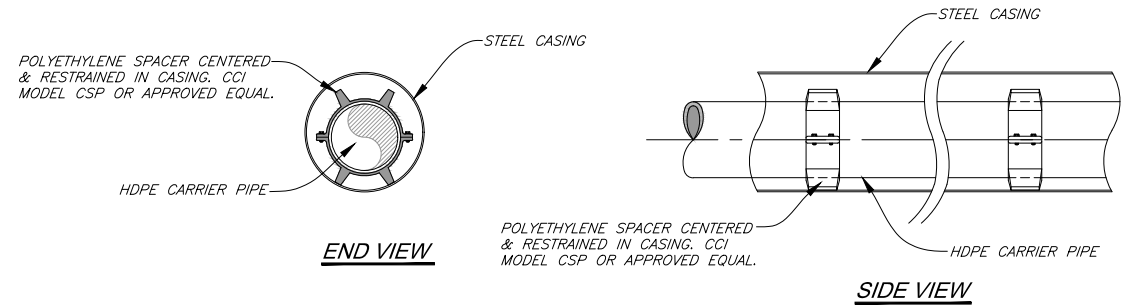
2" DRAIN VALVE
SCALE: 1" = 2'



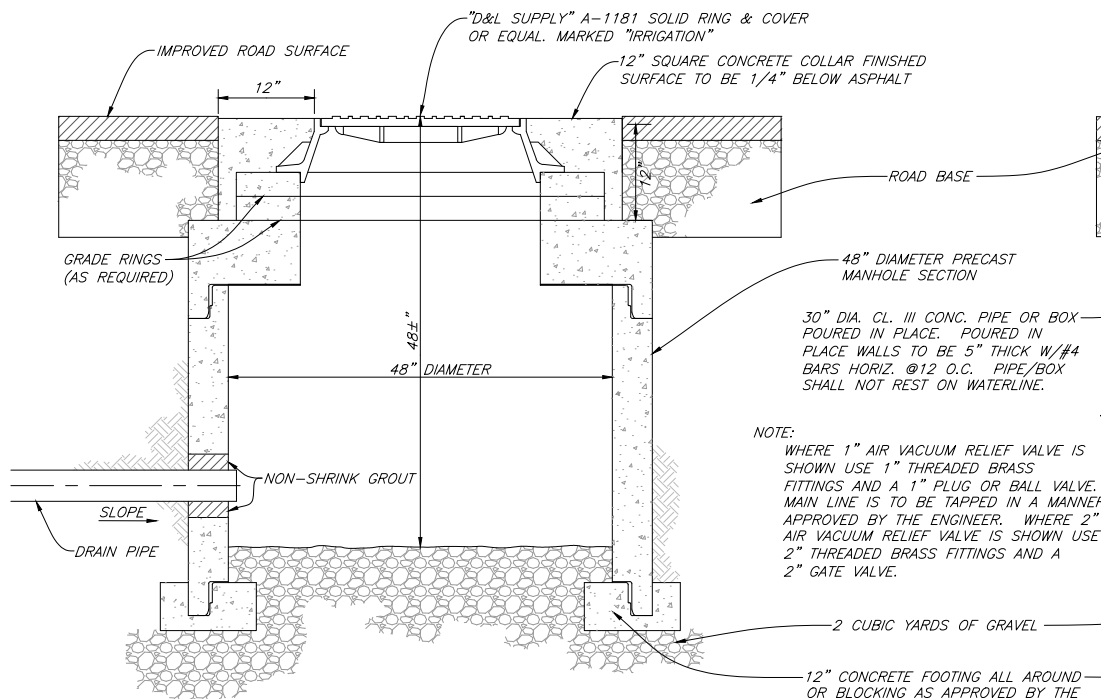
5-1/4" SQUARE VALVE LID
NOT TO SCALE



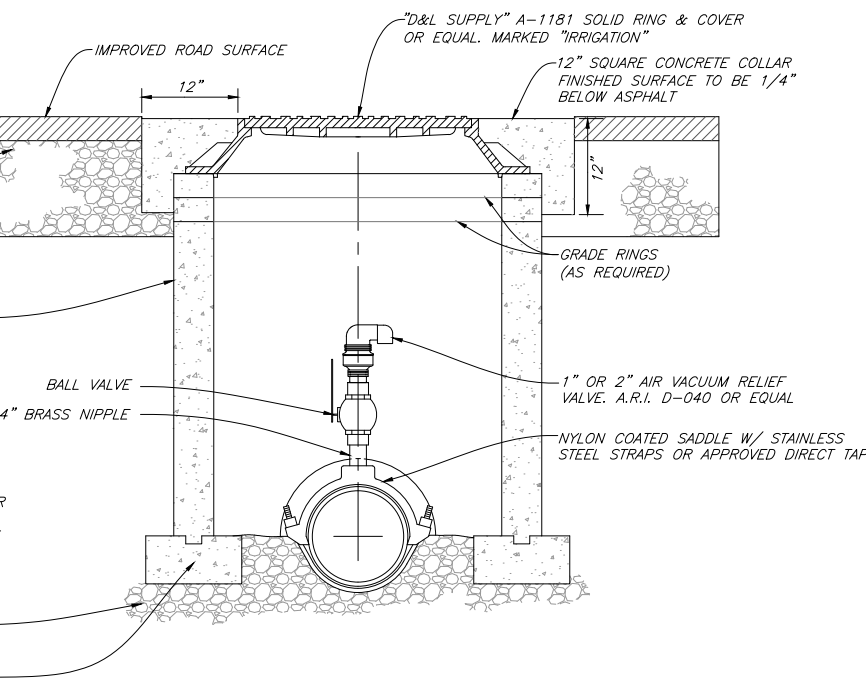
END SEAL DETAIL
SCALE: 1" = 2'



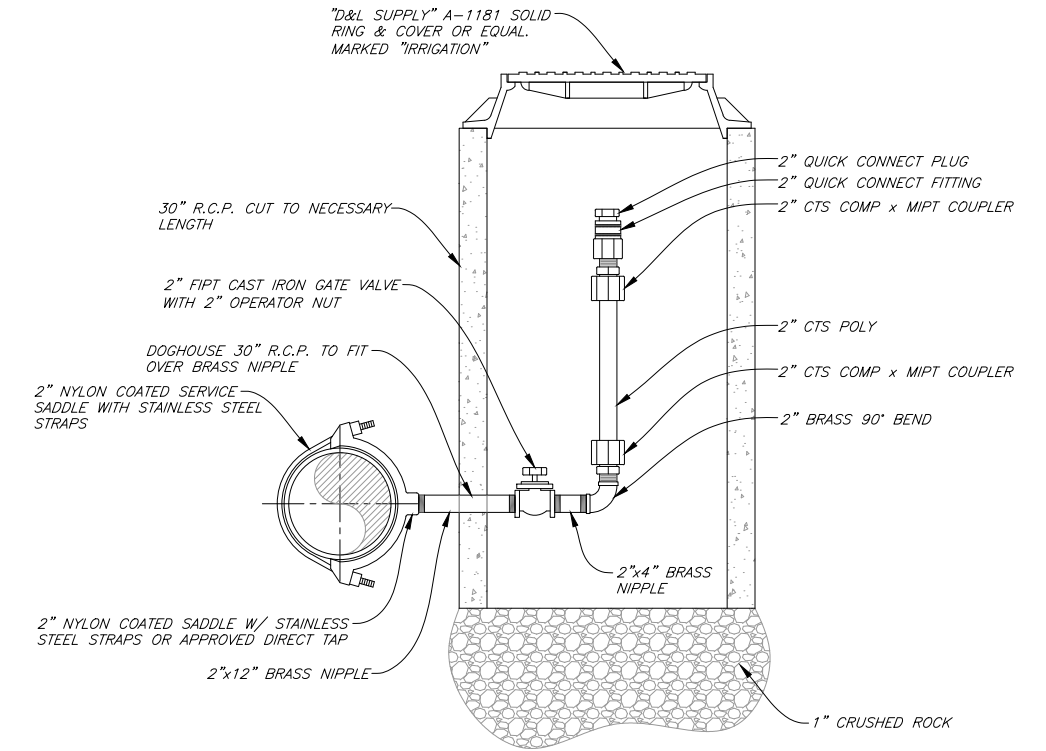
CASING DETAIL
SCALE: 1" = 2'



TEMPORARY GRAVEL DRAIN SUMP DETAIL
SCALE: 1" = 2'

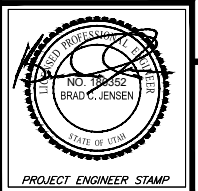


1" AND 2" AIR VACUUM RELIEF VALVE DETAIL
SCALE: 1" = 2'



2" QUICK CONNECT DRAIN
SCALE: 1" = 2'

MC-CAD_04-RWCSO_800-CITY-STNDS-STANDARDS.DWG [DETAIL.DWG]



WASATCH CIVIL
Consulting Engineering
1150 DEPOT DRIVE, SUITE 225
OGDEN, UTAH 84404 (801) 775-9191

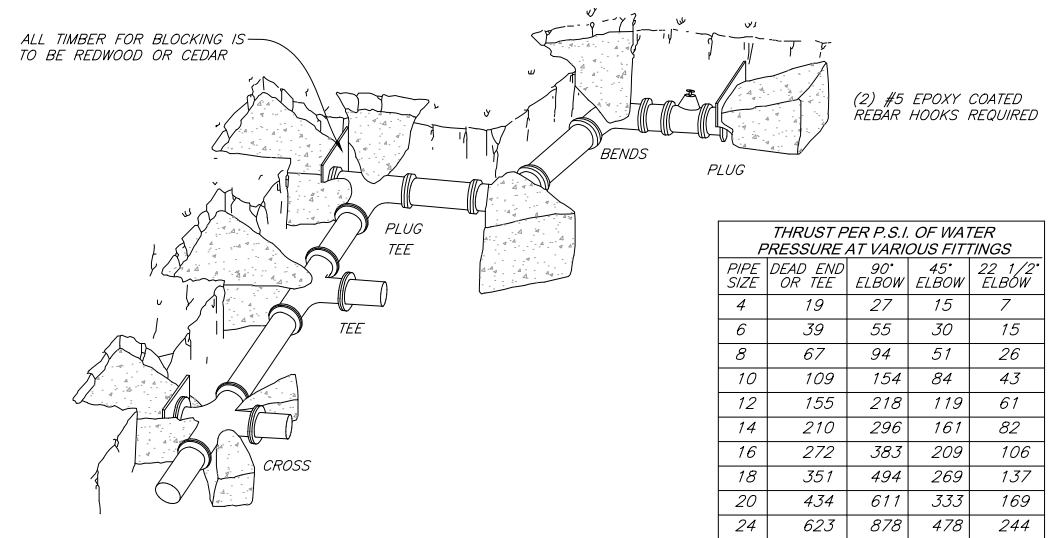
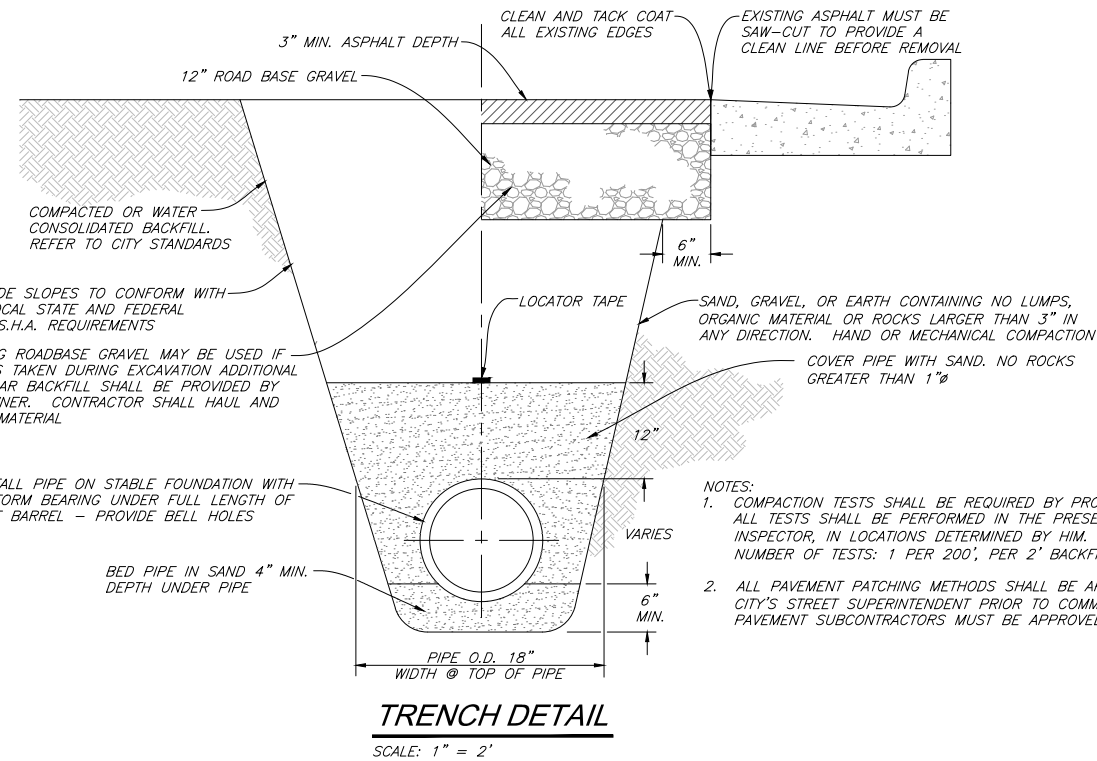
1	10/8/2020	BCJ	UPDATED METER FITTINGS RWCD

DESIGNED B.C.J. DATE OCT. 9, 2020
 DRAWN S.T. SCALE AS SHOWN
 CHECKED B.C.J.

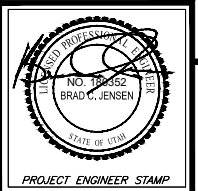
**ROY WATER
CONSERVANCY
DISTRICT**

CONSTRUCTION STANDARDS
MISCELLANEOUS DETAILS

MC-CAD_04-RWCSO_800-CITY-STNDS-STANDARDS\DWG\DETAIL.DWG



THRUST BLOCKING
N.T.S.



WASATCH CIVIL
Consulting Engineering
1150 DEPOT DRIVE, SUITE 225
OGDEN, UTAH 84404 (801) 775-9191

REV.	DATE	APPR.
1	10/8/2020	BCJ

DESIGNED B.C.J. DATE OCT. 9, 2020
DRAWN S.T. SCALE: AS SHOWN
CHECKED B.C.J.

ROY WATER CONSERVANCY DISTRICT

CONSTRUCTION STANDARDS
MISCELLANEOUS DETAILS